



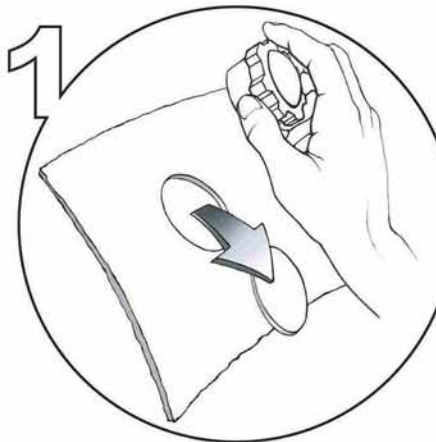
KoolGlide[®] Carpet Repair Instructions - 5-4-06



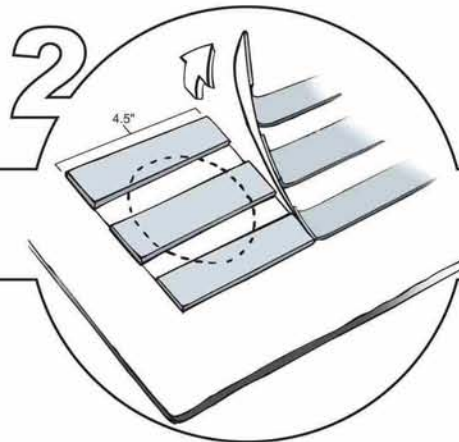
Read, understand, and follow all instructions in the **Safety and Operating Instruction Manual** before using this tool.



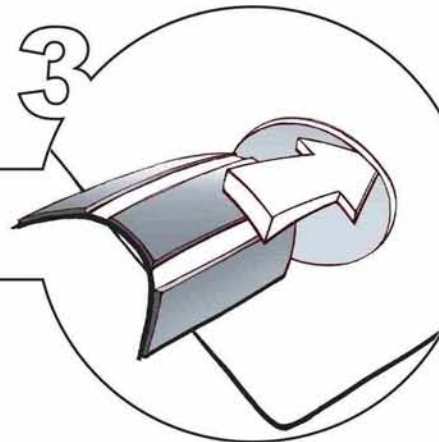
Asegurese de leer, entender y seguir todas las instrucciones contenidas en el **Manual de Seguridad y Operacion** antes de usar esta herramienta.



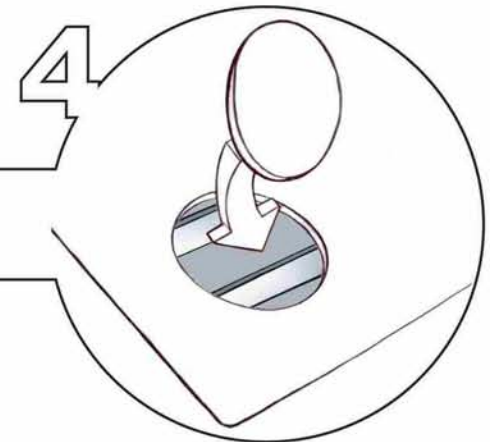
1 Cut out carpet piece to be repaired and matching replacement piece using 4" cookie cutter



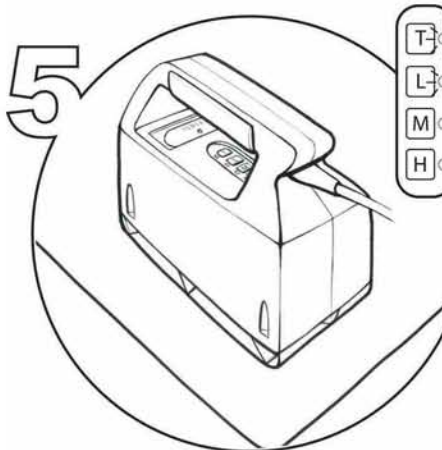
2 Cut 4.5" long segment of KoolGlide seam tape



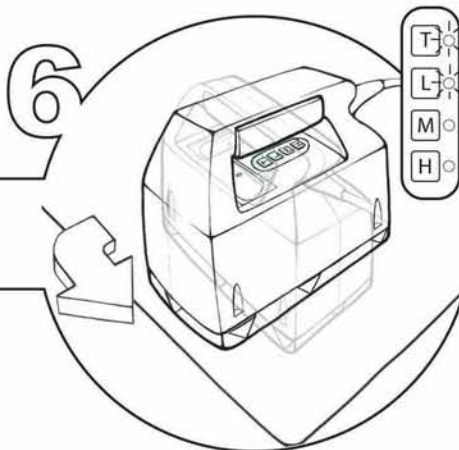
3 Position tape segment glue side up in the cutout



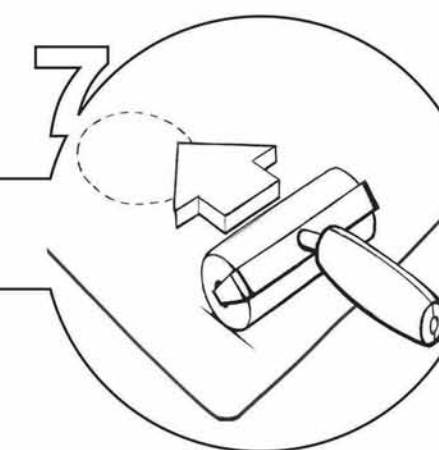
4 Place matching carpet patch (step 1) within cutout



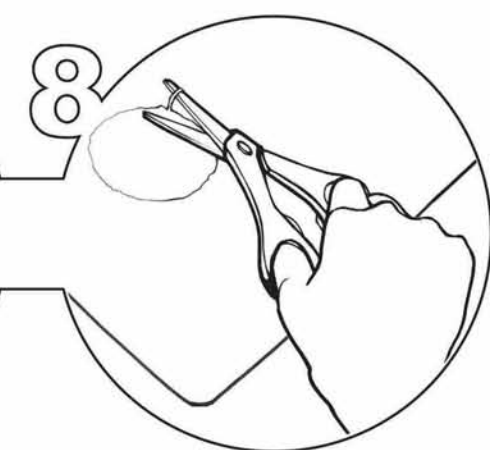
5 Set tool to "T" setting and position over patch and activate



6 After activating, rotate tool 90 degrees over patch and activate again with "T" setting engaged



7 Remove tool and use roller and seam weight to set patch



8 Trim any loose tufts and fibers.
WAIT 5 MINUTES BEFORE POWER STRETCHING

KoolGlide^(R) Carpet Repair Instructions - 5-4-06



Read, understand, and follow all instructions in the **Safety and Operating Instruction Manual** before using this tool.



Asegurese de leer, entender y seguir todas las instrucciones contenidas en el **Manual de Seguridad y Operacion** antes de usar esta herramienta.

